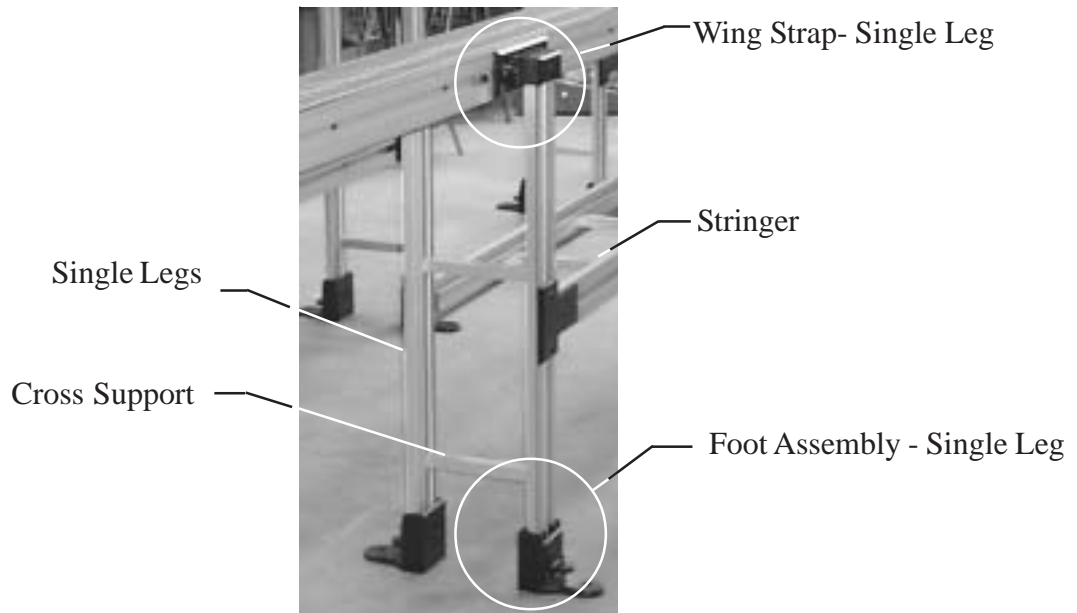
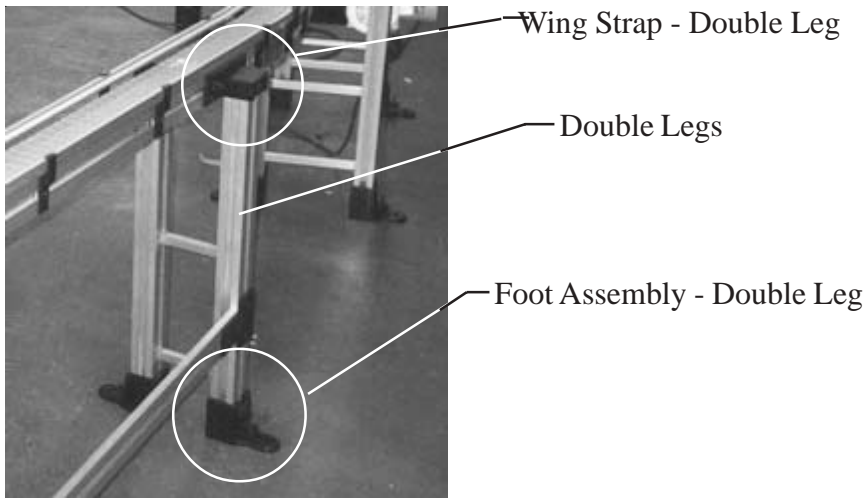


# MOUNTING SYSTEMS - TYPICAL

Mod Tech Mounting Systems include both floor and hanger solutions. In both cases standard components are used to create the solution that best fits the application. Single leg support solutions are available for light and medium duty while dual leg solutions are more robust. The extruded aluminum conveyor rail MAC-4913 is used to fabricate the legs, stringers, and cross supports.



Note: Ceiling Hanger not shown.

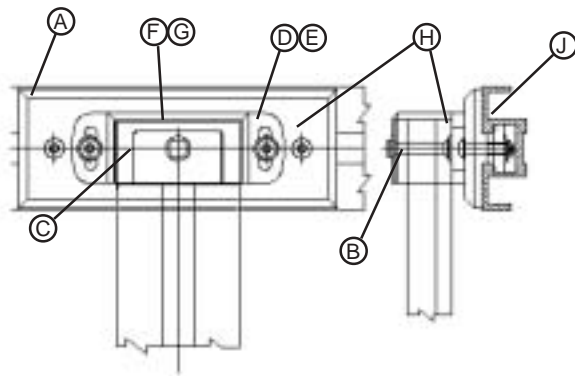
# RAIL MOUNTING KITS

Single leg support solutions are available for light and medium duty solutions. The single leg assemblies allow leg attachment to the conveyor and to the foot.

## MAC-4110 Single Wing Kit

**Application:** General Leg Mounting.

**Features:** Fits Single MAC-4913 leg, Keyed to fit rail tooling slot, allows +- 5 degrees of rail incline/decline.

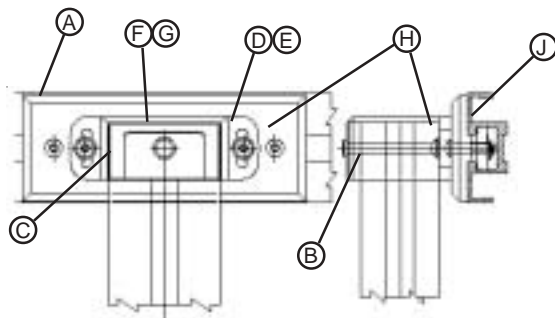


Description		QTY INCLUDED	
A	MAC 2921 WING STRAP	1	YES
B	MAC 2922 WING SUPPORT ATTACHMENT	1	YES
C	MAC 2923 WING SUPPORT CAP	1	YES
D	5/16-18 X 1.00" LG. B.H.S.C.S.	2	NO
E	5/16 I.D. SAE FLAT WASHER	2	NO
F	5/16-18 X 2.50" LG. H.H.C.S.	1	NO
G	W/5/16 I.D. SAE FLAT WASHER	2	NO
H	5/16-18 X 1.25" LG. B.H.S.C.S.	2	NO
J	5/16-18 SPRING NUT	2	NO

## MAC-4130 Dual Wing Kit

**Application:** General Leg Mounting.

**Features:** Fits Double set of MAC-4913 legs, Keyed to fit rail tooling slot, allows +- 5 degrees of rail incline/decline.



Description		QTY INCLUDED	
A	MAC 2921 WING STRAP	1	YES
B	MAC 2924 WING SUPPORT ATTACHMENT	1	YES
C	MAC 2923 WING SUPPORT CAP	1	YES
D	5/16-18 X 1.00" LG. B.H.S.C.S.	2	NO
E	W/5/16 I.D. SAE FLAT WASHER	2	NO
F	5/16-18 X 2.50" LG. H.H.C.S.	1	NO
G	W/5/16 I.D. SAE FLAT WASHER	2	NO
H	5/16-18 X 1.25" LG. B.H.S.C.S.	2	NO
J	5/16-18 SPRING NUT	2	NO

Note: All components for one kit will be packaged together. Mod Tech reserves the right to modify this kit package without notice.

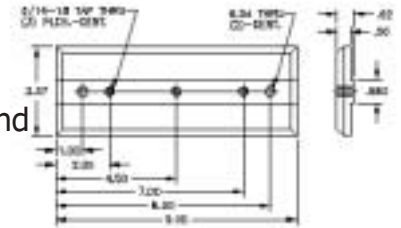
# RAIL MOUNTING COMPONENTS

## MAC-2921 Wing Plate



**Application:** Interface between conveyor rail and Wing details. Also used as a tooling mounting plate.

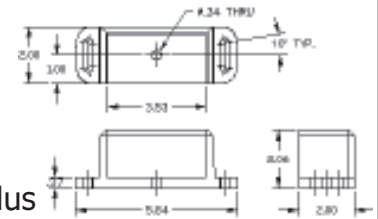
**Features:** Keyed to fit rail tooling slot, Cast Aluminum, Black Powdercoat Paint.



## MAC-2922 Wing Support Attachment Single



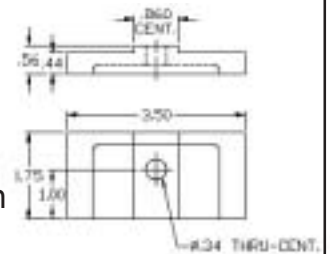
**Application:** Attachment for Single Leg.  
**Features:** Slotted through holes to allow plus or minus 10 degrees of rotation, Cast Aluminum, Black Powdercoat Paint.



## MAC-2923 Wing Support Cap



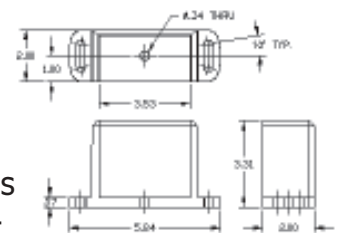
**Application:** Outer cover for Wing Assembly.  
**Features:** Keyed to fit rail tooling slot, through hole allows rigid attachment of leg to the conveyor rail, Cast Aluminum, Black Powdercoat Paint.



## MAC-2924 Wing Support Attachment Dual



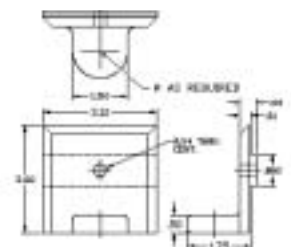
**Application:** Attachment for Double Leg.  
**Features:** Slotted through holes to allow plus or minus 10 degrees of rotation, Cast Aluminum, Black Powdercoat Paint.



## MAC-2925 Hanger Bracket



**Application:** Ceiling Hanger or support bracket for all MAC frame rails.  
**Features:** Keyed to fit rail tooling slot. Sized to fit 1/2 dia or smaller hanger rod. Cast Aluminum, Black Powdercoat Paint.

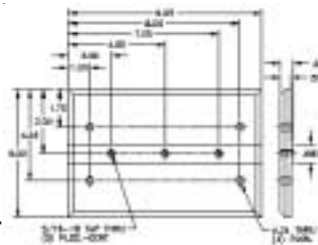


# RAIL MOUNTING COMPONENTS

## MAC-2002 Wing Plate - Wide



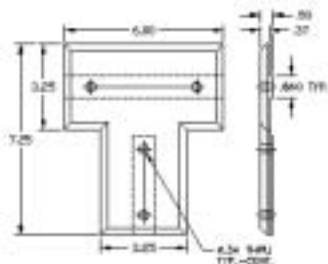
**Application:** Interface between conveyor rail and Wing details for MAC-5095 Conveyor Rails Also used as a tooling mounting plate.  
**Features:** Keyed to fit rail tooling slot, Cast Aluminum, Black Powdercoat Paint.



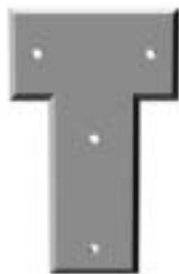
## MAC-2709 Tee Bracket - Short



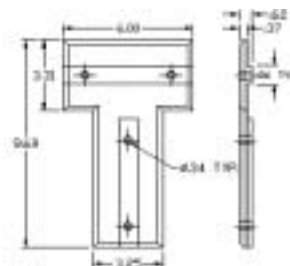
**Application:** Leg Mounting support in narrow spaces, Mount Mac-4913 Legs to MAC-5095 Conveyor Rails, Also used as a tooling mounting plate.  
**Features:** Keyed to fit rail tooling slot both horizontal and vertically, Cast Aluminum, Black Powdercoat Paint.



## MAC-2710 Tee Bracket - Long



**Application:** Leg Mounting support in narrow spaces. Mount Mac-4913 Legs to MAC-4913, 5159, 5207 Conveyor Rails, Also used as a tooling mounting plate.  
**Features:** Keyed to fit rail tooling slot both horizontally and vertically, Cast Aluminum, Black Powdercoat Paint.



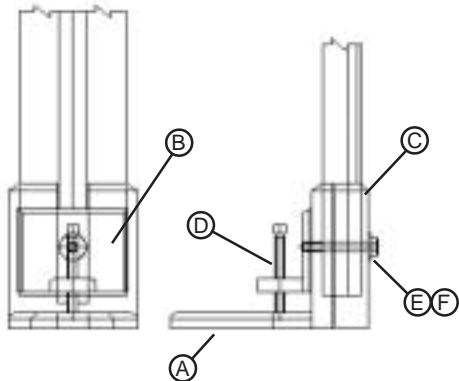
# FOOT MOUNTING KITS

Dual leg support solutions are available for medium and heavy duty applications.

## MAC-4120 Single Foot Kit

**Application:** General Foot Mount.

**Features:** Fits Single MAC-4913 leg, Keyed to fit rail tooling slot, allows plus or minus 11/16" of adjustment.

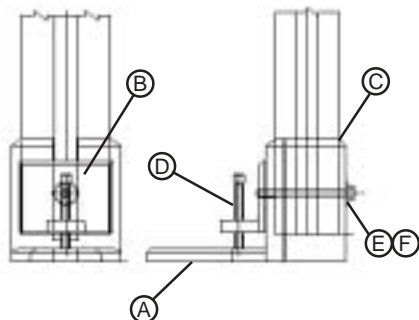


Description	QTY	INCLUDED
A MAC 2750 FOOT BASE	1	YES
B MAC 2751 HEIGHT LEVELING SLIDE	1	YES
C MAC 2752 SINGLE FOOT BACK COVER	1	YES
D 5/16-18 X 2.50" LG. S.H.O.P.S.S.	1	YES
E 5/16-18 X 2.25" LG. H.H.C.S.	1	NO
F 5/16 I.D. SAE FLAT WASHER	1	NO

## MAC-4140 Dual Foot Kit

**Application:** General Foot Mount.

**Features:** Fits Double set of MAC-4913 legs, Keyed to fit rail tooling slot, allows plus or minus 11/16" of adjustment.



Description	QTY	INCLUDED
A MAC 2750 FOOT BASE	1	YES
B MAC 2751 HEIGHT LEVELING SLIDE	1	YES
C MAC 2753 SINGLE FOOT BACK COVER	1	YES
D 5/16-18 X 2.50" LG. S.H.O.P.S.S.	1	YES
E 5/16-18 X 3.50" LG. H.H.C.S.	1	NO
F 5/16 I.D. SAE FLAT WASHER	1	NO

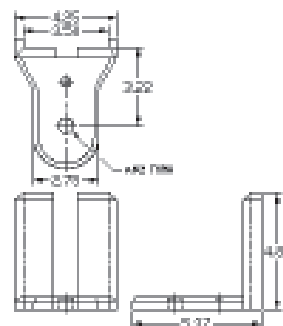
Note: All components for one kit will be packaged together. Mod Tech reserves the right to modify this kit package without notice.

# FOOT MOUNTING COMPONENTS



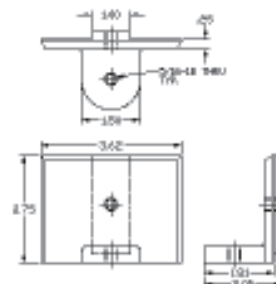
## MAC-2750 Foot Base

**Application:** Lower Portion of foot assembly.  
**Features:** Slotted to allow up and down movement, predrilled anchor hole, Cast Aluminum, Black Powdercoat Paint.



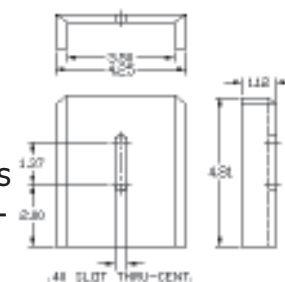
## MAC-2751 Height Leveling Slide

**Application:** Leg height adjustment device.  
**Features:** Keyed to Fit Foot Base, Tapped for 1/4-20 Square Head adjustment screw (included), Cast Aluminum, Black Powdercoat Paint.



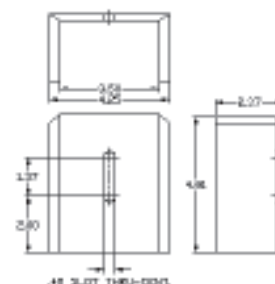
## MAC-2752 Mounting Cover

**Application:** Back Cover for Single Rail Leg.  
**Features:** Slotted Bolt hole to allow plus or minus 11/16" of adjustment, Cast Aluminum, Black Powdercoat Paint.



## MAC-2753 Mounting Cover

**Application:** Attachment for Double Rail Leg.  
**Features:** Slotted Bolt hole to allow plus or minus 11/16" of adjustment, Cast Aluminum, Black Powdercoat Paint.



## MAC-9200 (DUAL) MAC-9210 (SINGLE) Urethane Foot Pad

**Application:** Vibration Damper, Floor Protector  
**Features:** Fits foot assembly accurately, through hole included for anchoring foot assembly.

